

INSTALLATION INSTRUCTION 3" U-TYPE FRONT BAR TOYOTA HILUX 2015

Accessory Part No. _____ Installation Time: 30min

⚠ Important: Please read each step of these instructions carefully prior to commencing installation!

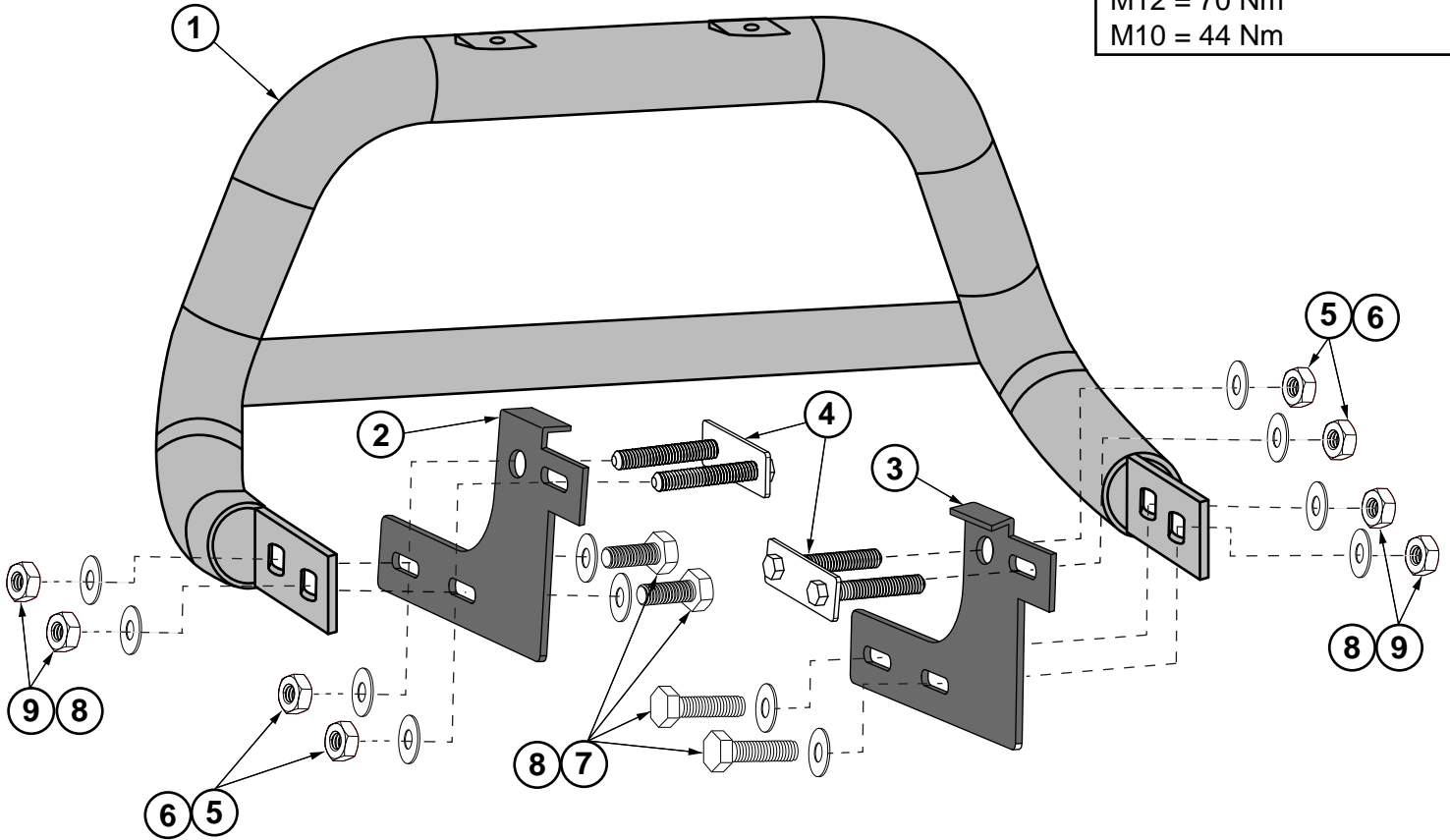
- Do not use this product in any other motor vehicle for which it is not designed.
- Do not use any other mounting location/method other than described in this instruction.
- It is advisable to seek assistance of another person when installing this product.
- Do not repair or modify the Nudge Bar and/or its mounting bracket in any way.
- Repair or modification may effect proper operation of the airbag resulting in serious injury.
- Do not remove the label from the Nudge Bar.

Place these instructions in the vehicle's glovebox after installation is complete

No.	NAME	Qty.	REMARKS	No.	NAME	Qty.	REMARKS
1	FRONT BAR	1	—	6	FLAT WASHER	4	Ø10.5x26x2.5mm
2	MOUNTING BRACKET	1	LEFT	7	HEX HEAD BOLT	4	M12x30mm
3	MOUNTING BRACKET	1	RIGHT	8	FLAT WASHER	8	Ø13x30x3mm
4	2 BOLT PLATE	2	M10x80mm	9	HEX NUT	4	M12
5	HEX NUT	4	M10				

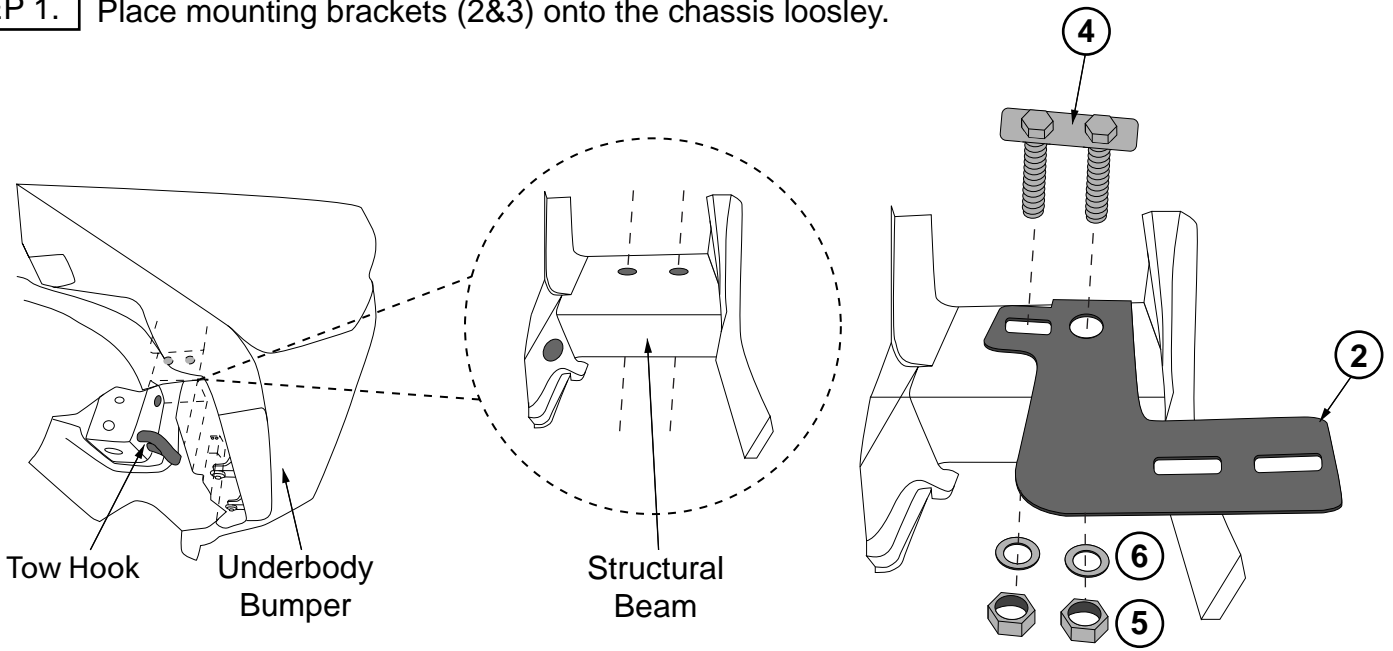
Layout:

Bolt Assembly Torques:
M12 = 70 Nm
M10 = 44 Nm

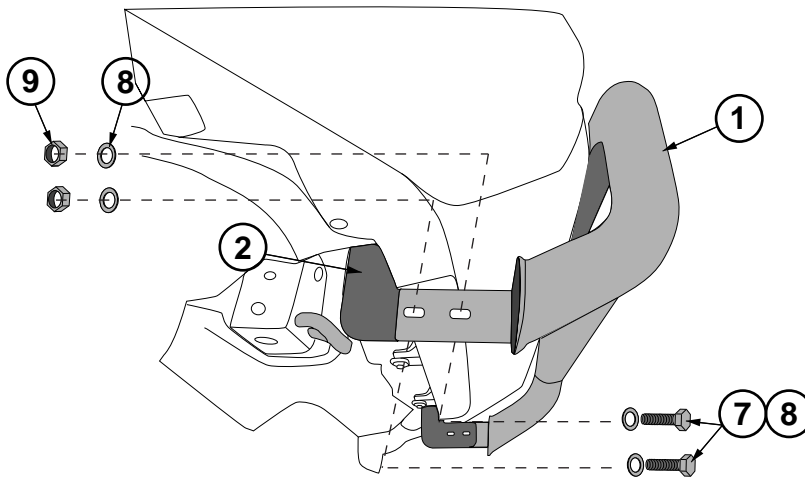


INSTALLATION INSTRUCTION

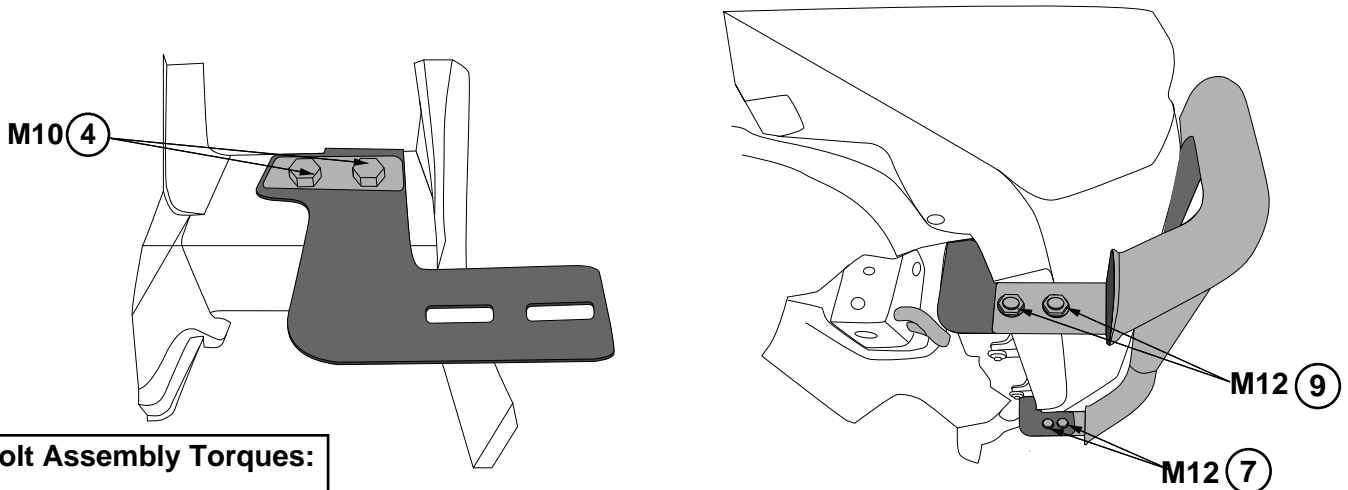
STEP 1. Place mounting brackets (2&3) onto the chassis loosley.



STEP 2. Offer up the nudge bar (1) to the mounting brackets (2) and adjust.



STEP 3. Torque all bolts.



Bolt Assembly Torques:

M12 = 70 Nm
M10 = 44 Nm