



# FOR RNGR/EVRST

(2015 Production Onwards)

## ALLOY NUDGE BAR INSTALLATION INSTRUCTION

Accessory Part No. NBAR0053

Installation Time: 30min  
Approx Nudge Bar Weight: 4KG

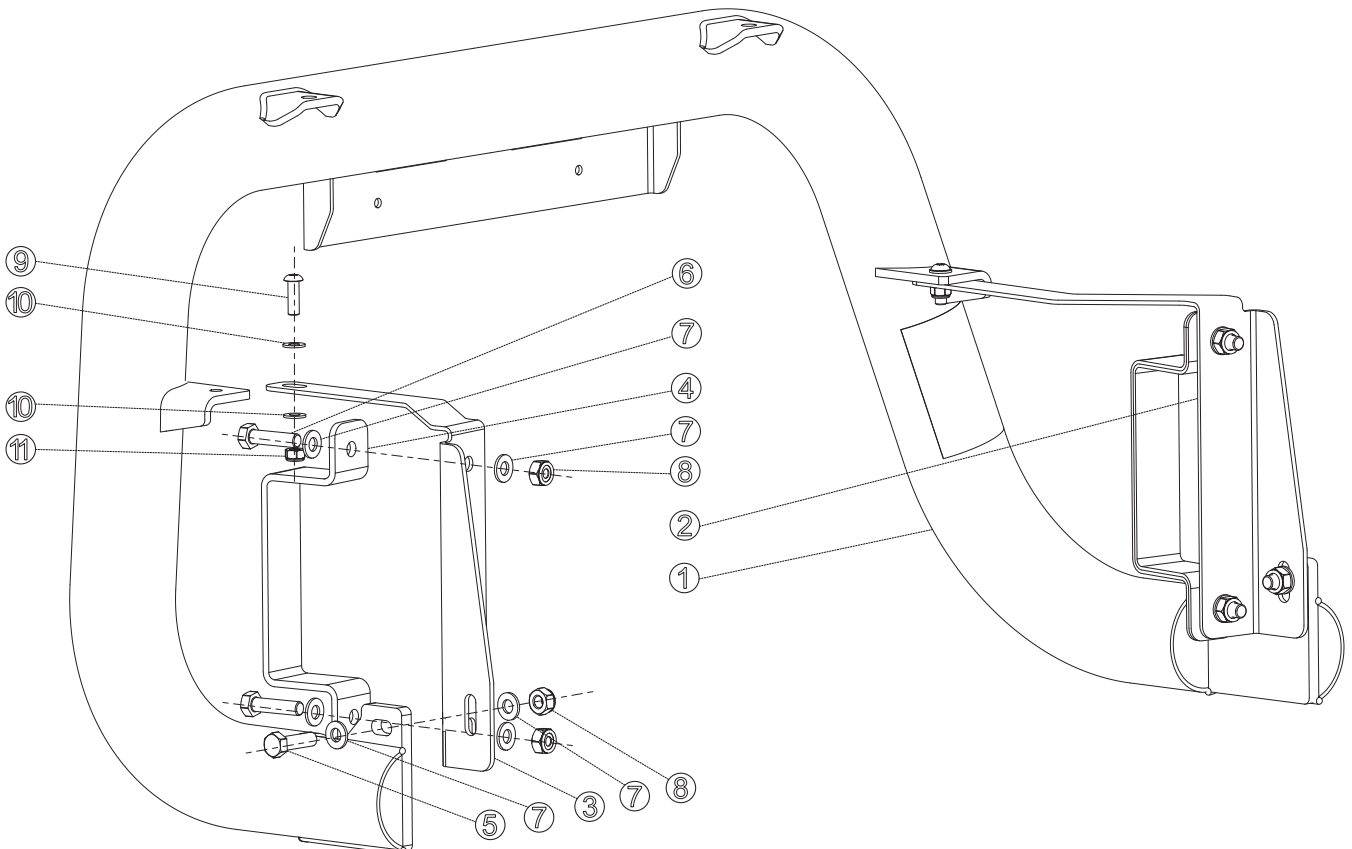
**! Important:** Please read each step of these instructions carefully prior to commencing installation!

**Place these instructions in the vehicle's glovebox after installation is complete**

**! Important:**

- Do not use this product in any other motor vehicle for which it is not designed.
- Do not use any other mounting location/method other than described in this instruction.
- It is advisable to seek assistance of another person when installing this product.
- Do not repair or modify the Nudge Bar and/or its mounting bracket in any way.
- Repair or modification may effect proper operation of the airbag resulting in serious injury.
- Do not remove the label from the Nudge Bar.

Layout:



**Tools Required:**

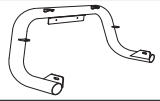



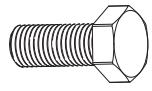
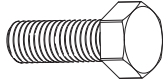


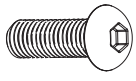



Flat Bladed Screwdriver  
Sharp Knife  
Marker Pen  
5mm Hex Driver (Allen Key)

13mm Socket / Spanner  
16mm Socket / Spanner  
17mm Socket / Spanner  
50mm Hole Saw + Power Drill

**Bolt Assembly Torques:**

M8 = 22 Nm  
M10 = 44 Nm

## Parts List

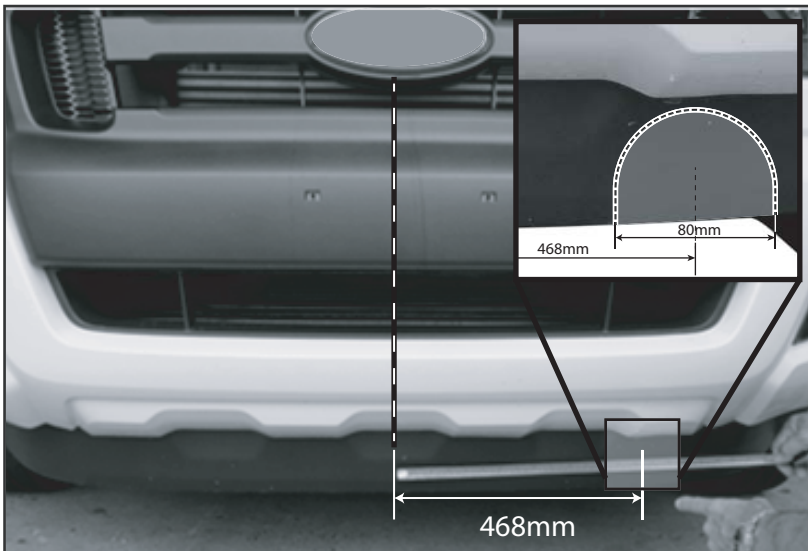
ITEM	COMPONENT	QTY	ICON
1	Nudge Bar	1	
2	Rear Bracket (RHS)	1	
3	Rear Bracket (LHS)	1	
4	Front Brackets	2	
5	M10 x 35 mm Hex Head Bolt	2	
6	M10 x 40mm Hex Head Bolt	4	
7	M10 Flat Washer	12	
8	M10 Nyloc Nut	6	
9	M8 x 25mm Button Head Cap Screw	2	
10	M8 Flat Washer	4	
11	M8 Nyloc Nut	2	
12	Fitting Instructions	1	

- To maintain your Nudge Bar properly, wash regularly with car wash detergent, hose off & chamois dry. Stubborn grime can be removed with kerosene.
- Polished surfaces can be maintained with Autosol® metal polish or similar products. Use as recommended.

**Figure 1. Remove the Number Plate****1. Remove the Number Plate**

Remove the number plate from the front bumper of the vehicle.

Fit the number plate to the Nudge Bar.

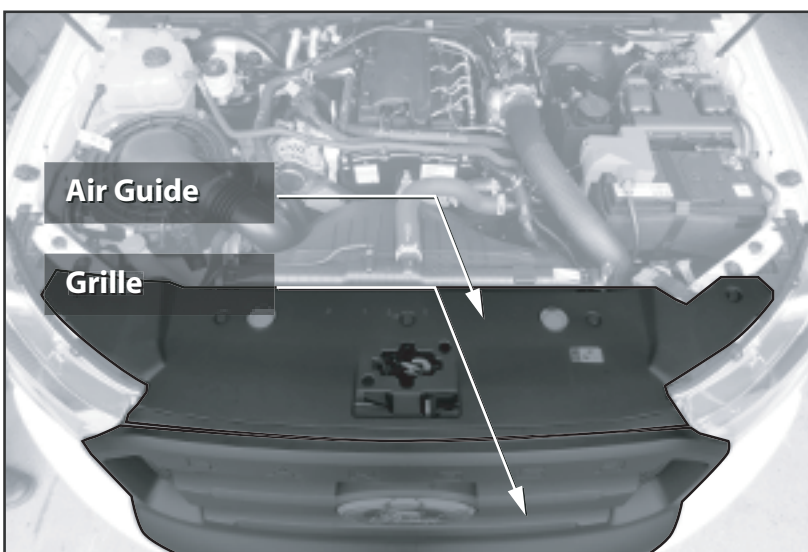
**Figure 2. Trim the Plastic Skirt****2. Trim the Plastic Skirt**

**Tools:**  
Masking Tape  
Marker Pen  
Sharp Knife

Using a marker pen, mark the plastic skirt as shown, at the bottom edge of the front bumper.

You may need to prepare the surface with masking tape, if it is difficult to see the marker on the black plastic.

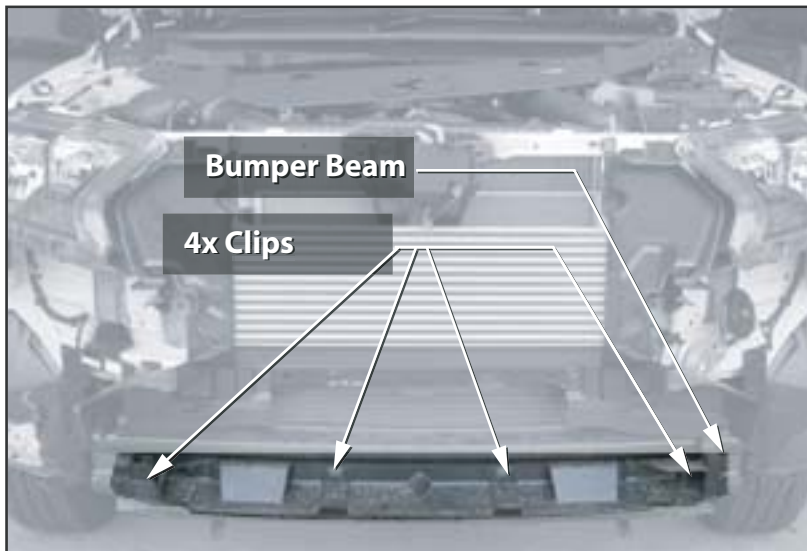
Carefully trim the skirt with a sharp knife, on both RHS and LHS of the vehicle.

**Figure 3. Drill the Front Air Shrouds****3. Remove the Radiator Air Guide and Grille**

Remove the Air Guide and Grille from the vehicle.

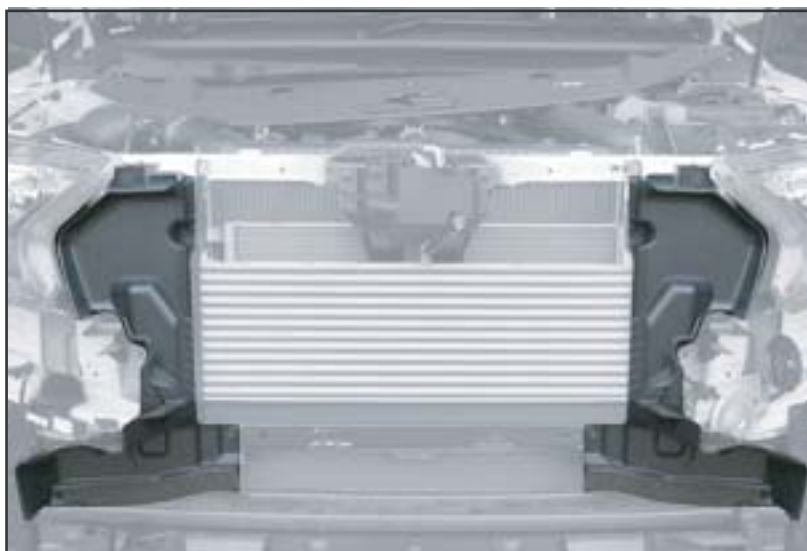
**Figure 4. Remove the Bumper****4. Remove the Front Bumper**

Remove the Front Bumper from the vehicle.

**Figure 5. Unclip the Plastic Shroud****5. Unclip the Plastic Shroud**

**Tools:**  
Flat Bladed Screwdriver

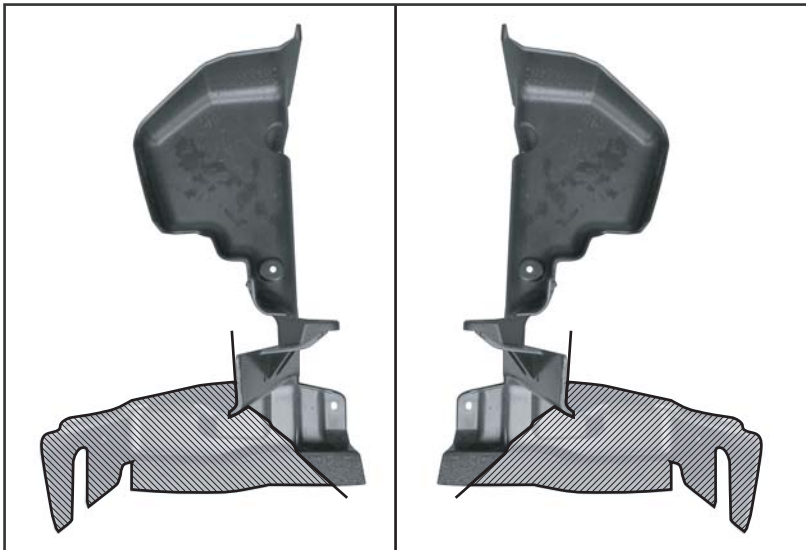
Using a flat bladed screwdriver, push the clips forwards, out of the bumper beam.

**Figure 6. Remove the Vertical Air Guides****6. Remove the Vertical Air Guides**

**Tools:**  
Phillips Screwdriver

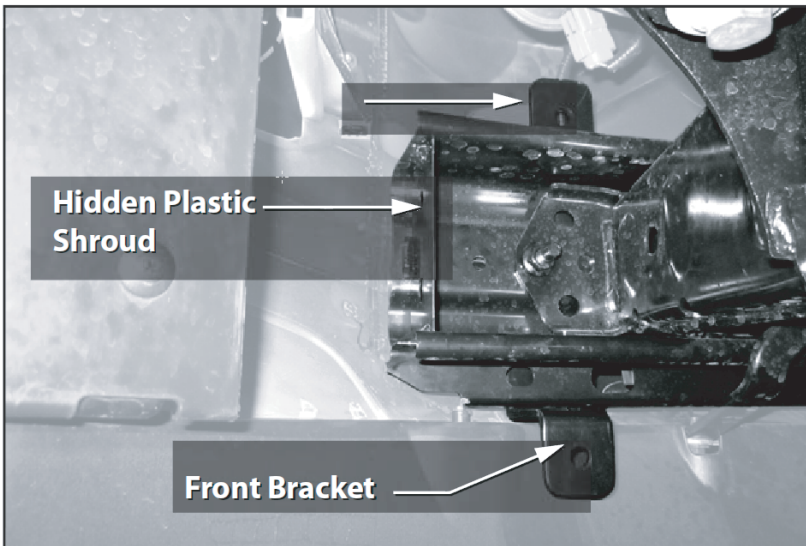
Remove the 2 screws securing the LH and RH Vertical air guides to the vehicle. Remove the LH and RH Vertical air guides.



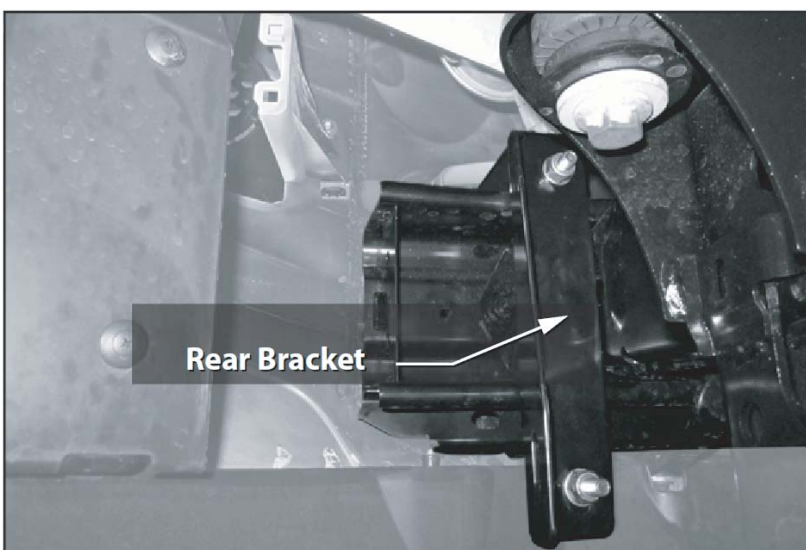
**Figure 7. Trim the Vertical Air Guides****7. Trim the Vertical Air Guides**

**Tools:**  
Stanley Knife

Trim the Vertical Air Guides as shown to clear the Nudge Bar Brackets.

**Figure 8. Fit the Front Bracket****8. Fit the Front Bracket**

Slide the Front Brackets onto each end of the bumper beam.

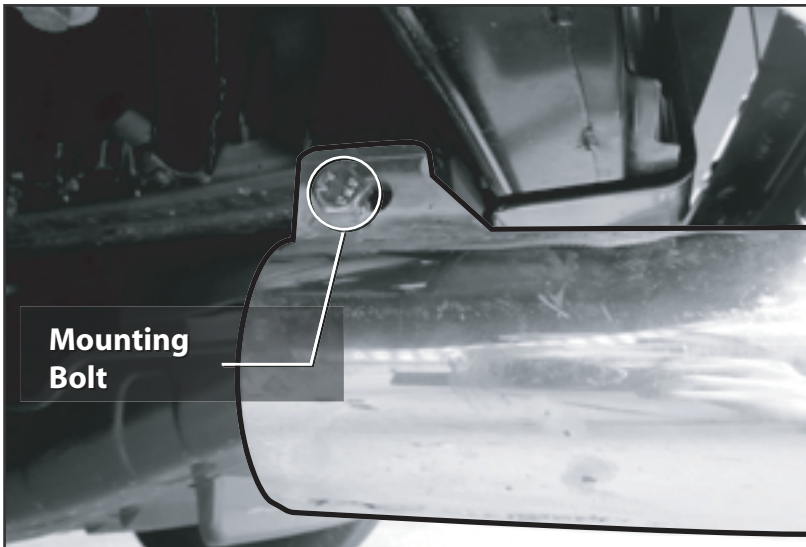
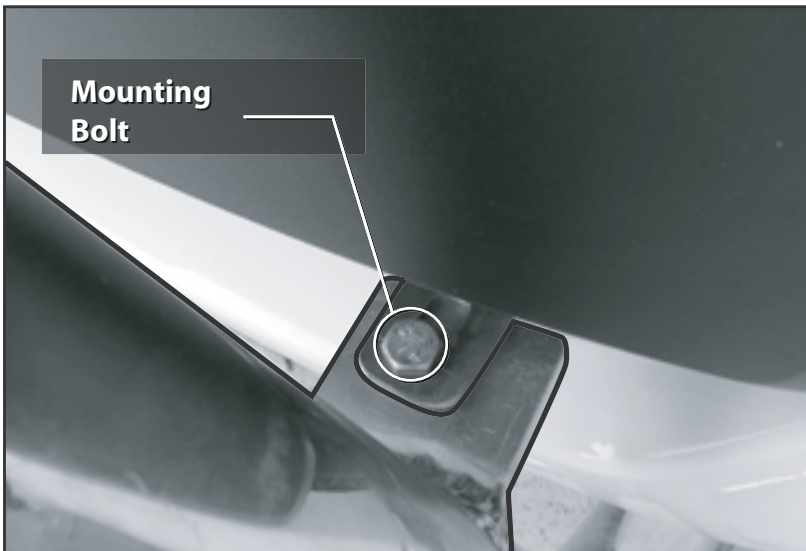
**Figure 9. Fit the Rear Bracket****9. Fit the Rear Bracket**

**Tools:**  
16mm Socket/Spanner  
17mm Socket/Spanner

Fit the RHS and LHS rear brackets to the front brackets, using the supplied M10x40mm Hex Head Bolts, M10 Flat Washers, and M10 Nyloc Nuts.

Ensure the Rear Brackets are aligned against the outer faces of the chassis rails, and fully tighten.

Reinstall the Front Bumper, Grille, Vertical Air Guides and Radiator Air Guide.

**Figure 10. Attach Nudge Bar Bottom Mounting Tabs****Figure 11. Attach the Nudge Bar Top Tabs****Figure 12. Adjust and Fix the Nudge Bar****10. Attach Nudge Bar Bottom Tabs****Tools:**

16mm Socket/Spanner  
17mm Socket/Spanner

Fit the Nudge Bar lower mounting tabs to the Mounting Brackets, using the M10x35mm Hex Head Bolts, M10 Flat Washers, and M10 Nyloc Nuts.

Do not fully tighten.

**11. Attach Nudge Bar Top Tabs****Tools:**

13mm Socket/Spanner

Swing the Nudge Bar up to meet the top Mounting Bracket tabs.

Fix the Nudge Bar to the Mounting Brackets, using the M8x25mm Button Head Cap Screws, M8 Flat Washers, and M8 Nyloc Nuts.

Fully tighten.

**12. Adjust and Fix the Nudge Bar****Tools:**

16mm Socket/Spanner  
17mm Socket/Spanner

Align the Nudge Bar to the desired position, and fully tighten the lower Mounting Bolts.

\*\*\*\* END \*\*\*\*