

INSTALLATION INSTRUCTION 3" U-TYPE FRONT BAR MITSUBISHI TRITON 2015

Accessory Part No. Installation Time: 30min

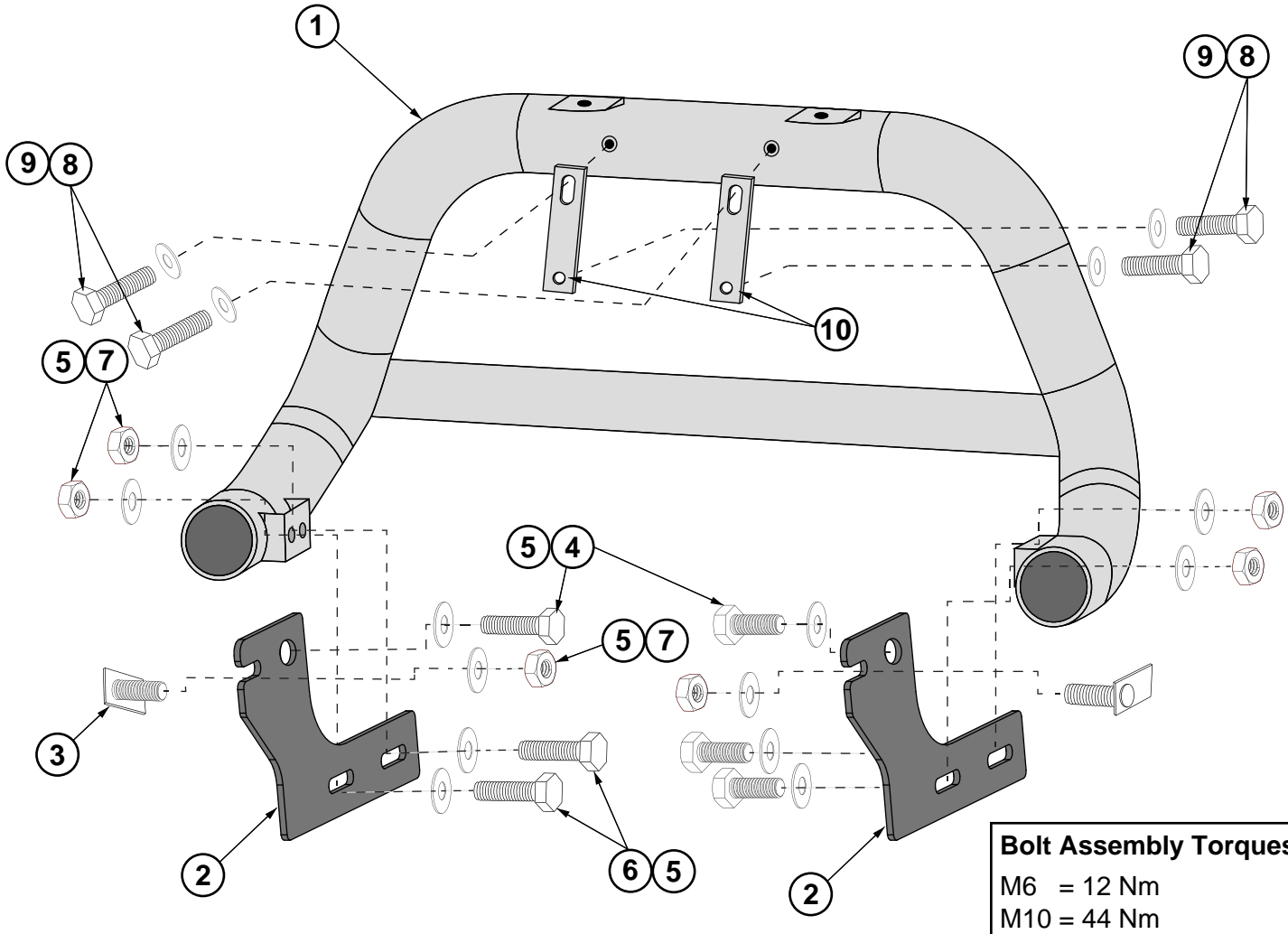
⚠ Important: Please read each step of these instructions carefully prior to commencing installation!

- Do not use this product in any other motor vehicle for which it is not designed.
- Do not use any other mounting location/method other than described in this instruction.
- It is advisable to seek assistance of another person when installing this product.
- Do not repair or modify the Nudge Bar and/or its mounting bracket in any way.
- Repair or modification may effect proper operation of the airbag resulting in serious injury.
- Do not remove the label from the Nudge Bar.

Place these instructions in the vehicle's glovebox after installation is complete

No.	NAME	Qty.	REMARKS	No.	NAME	Qty.	REMARKS
1	FRONT BAR	1	—	7	HEX NUT	6	M10
2	MOUNTING BRACKET	2	LEFT/RIGHT	8	HEX HEAD BOLT	4	M6x25mm
3	T-BOLT	2	M10x35mm	9	FLAT WASHER	4	6.4x18x1.6
4	FINE THREAD HEX HEAD BOLT	2	M10x1.25x30mm	10	NUMBER PLATE BRACKETS	2	—
5	FLAT WASHER	12	10.5x26x2.5mm				
6	HEX HEAD BOLT	6	M10x1.5x35mm				

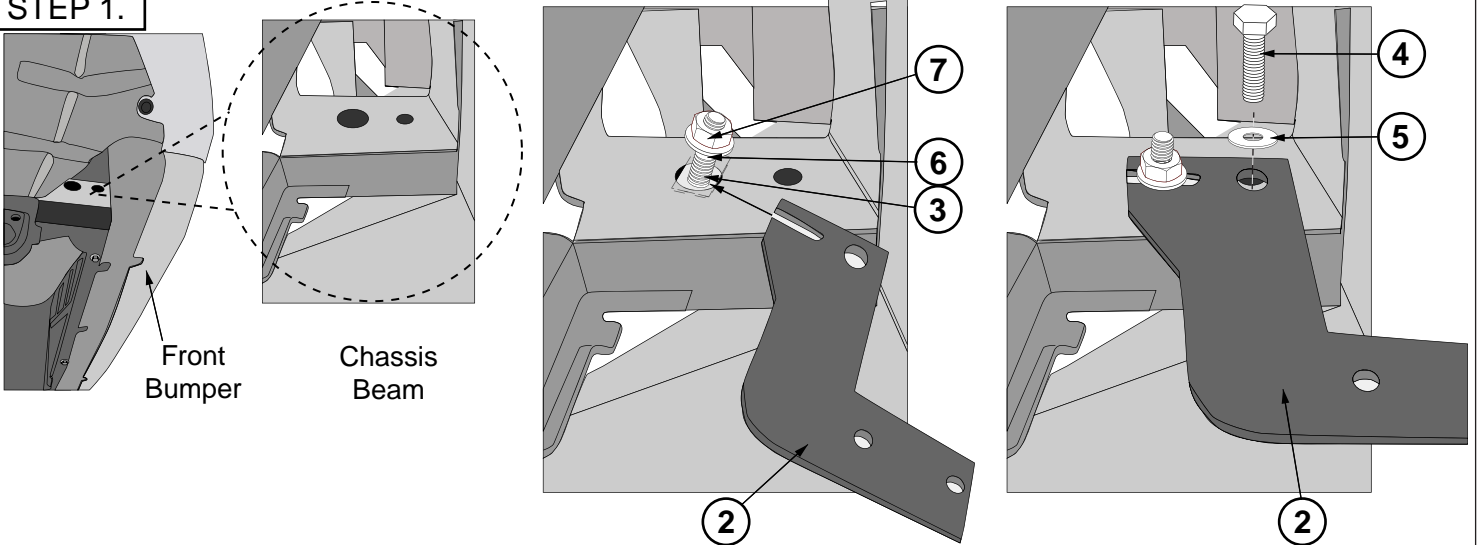
Layout:



Bolt Assembly Torques:
M6 = 12 Nm
M10 = 44 Nm

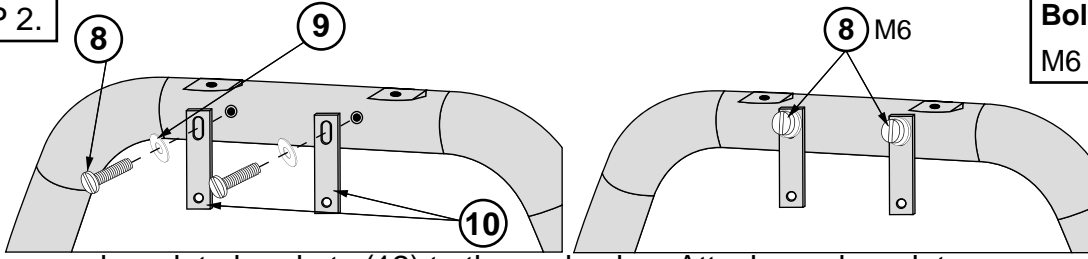
INSTALLATION INSTRUCTION

STEP 1.



Carefully place bolt assembly (3) into the bigger hole on the chassis beam, then slide the bracket (2) inside bolt (3). Place bolt (5) loosely to secure bracket (2) to the car.

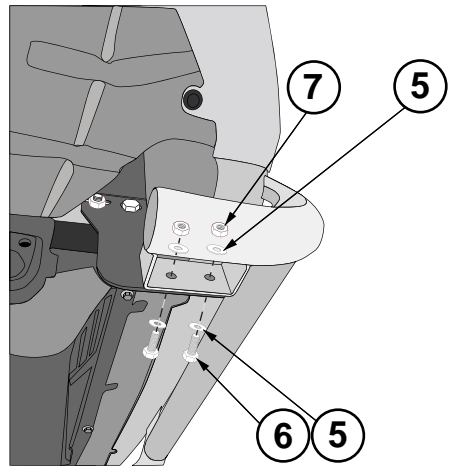
STEP 2.



Bolt Assembly Torques:
M6 = 12 Nm

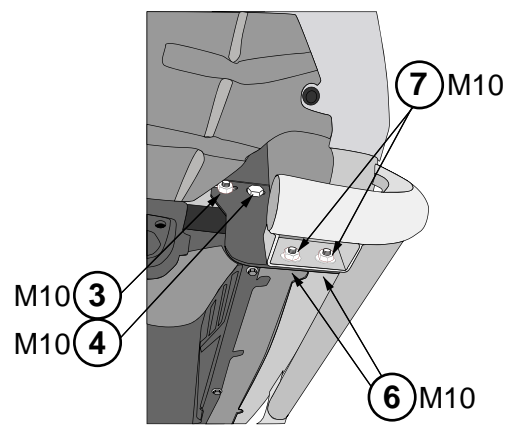
Add the number plate brackets (12) to the nudge bar. Attach number plate.

STEP 3.



Attach the nudge bar (1) to the mounting brackets (2) and adjust.

STEP 4.



Torque all bolts.

Bolt Assembly Torques:
M10 = 44 Nm